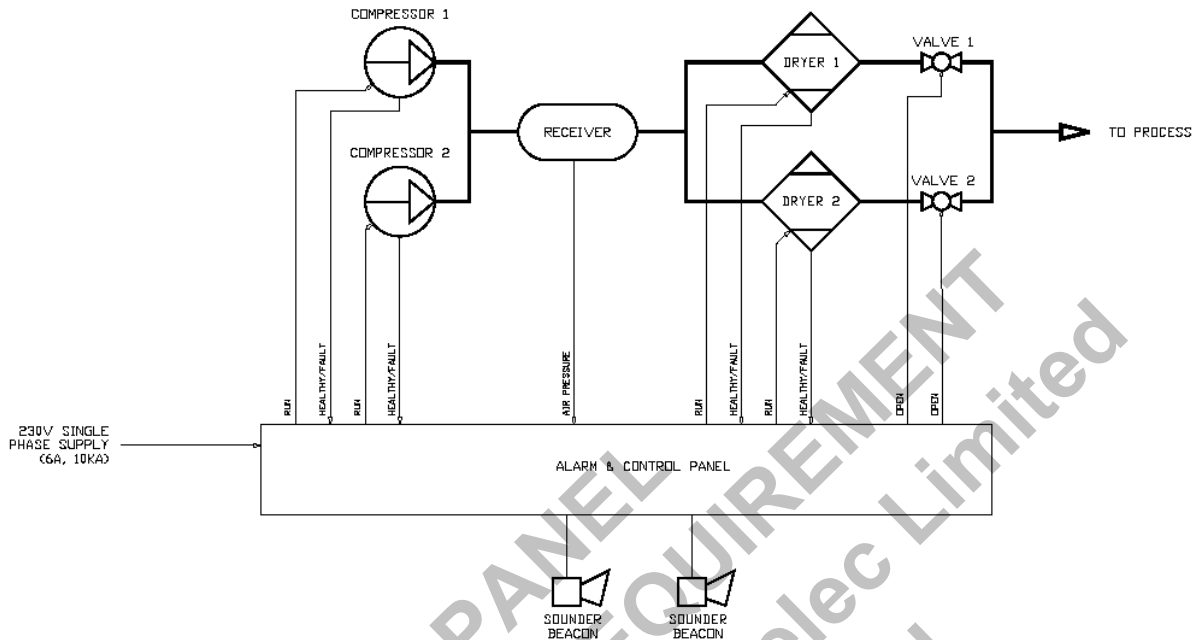


Versa Panel

Compressor & Dryer Alarm and Control



Each dryer and compressor shall have a volt-free contact to indicate healthy (normally open, closes when healthy) and fault (normally closed, closes on fault) status. The status indications shall be used to inform the control logic.

The dryers are set to run continuously. The duty dryer is selected by opening its corresponding ball valve. Under normal (auto) operation the ball valves shall cycle on a weekly duty cycle. In the event of one of the dryers indicating a fault the cycle will be interrupted so that only the healthy dryer is used. In the event of fault detection the alarm beacon/sounders shall be activated.

In normal operation (auto) the compressors shall cycle between duty and standby every 2 days, except if a fault is detected on one or the other, in which case only the healthy compressor shall be used. In the event of fault detection the alarm beacon/sounders shall be activated.

The beacon/sounders can be silenced via an override key switch but the alarm shall be displayed continuously on the control panel. In the event of a second fault, the sounder-beacons shall be re-activated and require the operator to cycle the override switch to silence.

The run contacts to the dryers and the compressors shall be a single, volt-free, normally open contact which closes to run the equipment.

The normal (auto) operation can be overridden via key switches on the control panel to facilitate maintenance. The key switch can be used to select unit 1 or 2 to operate continuously.

In the case of the dryer key switch: once this has been returned to the auto position the dryer which was not running (e.g. out for maintenance) shall not enter the duty/standby cycle for 24 hours after restarting to allow dew-point to be reached.

In the case of the compressor key switch: the unit enters the duty/standby cycle immediately.