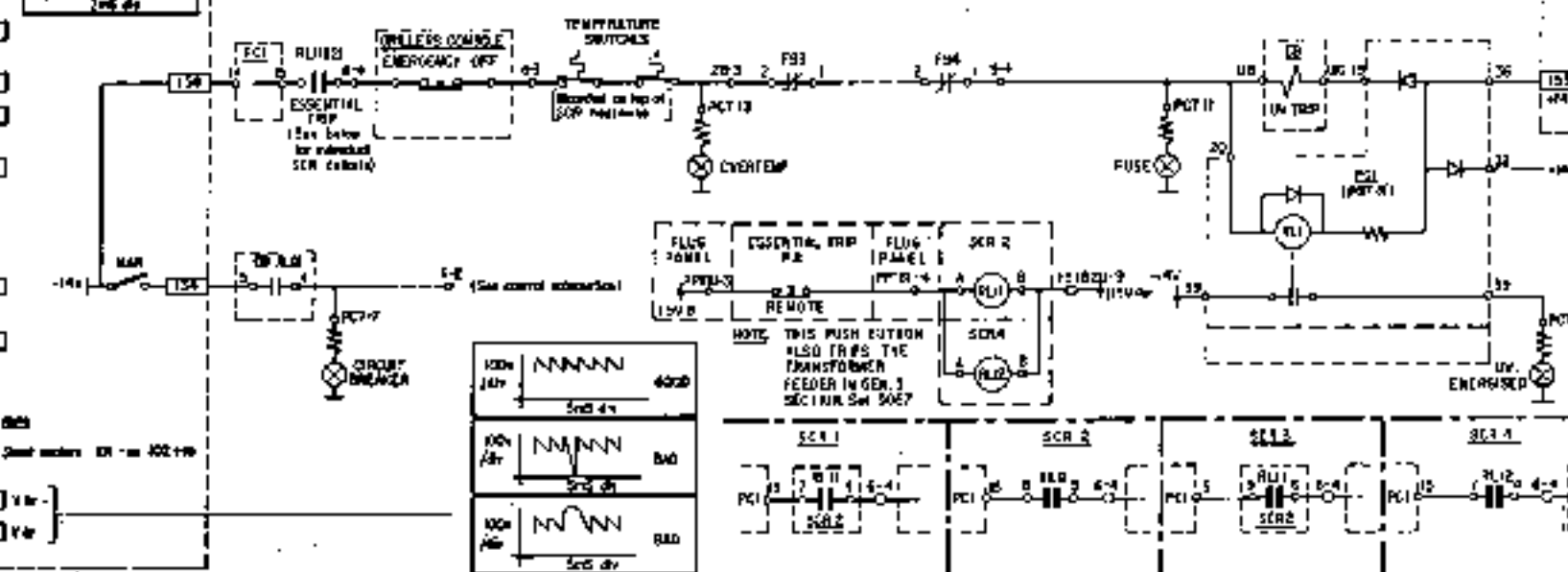


DC MODULE

- 114 Overvoltage protection
- 115 Overcurrent protection
- 116 Temperature protection
- 117 Temperature protection
- 118 Temperature protection
- 119 Temperature protection
- 120 Temperature protection
- 121 Temperature protection
- 122 Temperature protection
- 123 Temperature protection
- 124 Temperature protection
- 125 Temperature protection
- 126 Temperature protection
- 127 Temperature protection
- 128 Temperature protection
- 129 Temperature protection
- 130 Temperature protection
- 131 Temperature protection
- 132 Temperature protection
- 133 Temperature protection
- 134 Temperature protection
- 135 Temperature protection



REV	4 D	DATE	10/10/70
BY	J. D. G.	CHKD	J. D. G.
APP.		DATE	
TESTED		DATE	
REVISIONS		DATE	

**HILL GRAMH CONTROLS LTD**  
 HIGH WYCOMBE, OXONS.  
 ENGLAND.  
 TEL (0494) 41111

60700042